



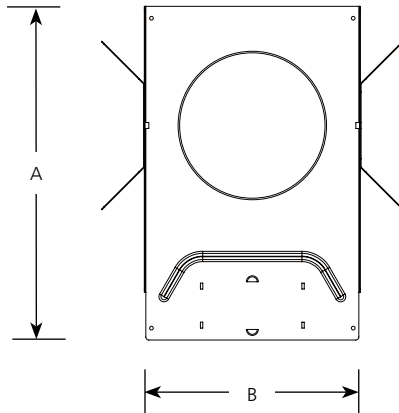
Compact Fluorescent

**6" Pro-Optic™ Housing
26W Quad Tube
2 Horizontal Lamps**

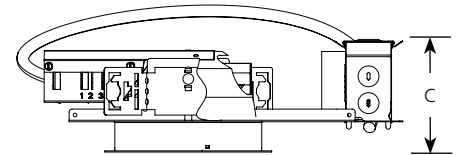
Recessed

Type _____
-EB -DM
P66

Catalog No.	Lamping	Dimensions (Inches)		
		A	B	C
P66-EB	(2) 26w Quad Tube	14	9-1/8	4-3/4*
P66-DM	(2) 26w Quad Tube Dimmable	14	9-1/8	4-3/4*



* 5-3/4 depth for Lensed and Wall Wash
Ceiling Opening = 6-1/4
Maximum Ceiling Thickness = 1-1/4



• Trim must be ordered separately; P8030 trim shown above

Specifications:

Electrical

- Universal heavy gauge junction box with snap-out sides
- Grounding pigtail
- 1/2" & 3/4" pryouts for rigid or BX fittings
- P66-EB includes 120v/277v electronic HPF ballast
- P66-DM includes 120v electronic HPF ballast. Dimmable to 5% with 2-wire switches compatible with Advance Mark X ballasts
- Rated for 8 #12 90 degree conductors (4 in, 4 out)
- Thermal and end of life ballast protection

Construction

- 2 horizontal 26W GX24q-3 quad tube compact fluorescent
- Notched housing for chalkline or laser alignment
- Full wrap-around mounting frame
- Galvanized steel construction
- Trims adjust to accommodate 1/2" to 1-1/4" thick ceilings

Bar Hangers

- Light commercial bar hangers included
- Integral nailers for wood joist construction
- Integral T-bar mounting clamps
- Securely span 24" T-bar spacing
- Integral set screw lock to secure vertical housing position
- Captive and factory installed
- Galvanized steel
- Universal mounting brackets accept 1/2" EMT conduit or 1-1/2" or 3/4" lathing channel (by others)

Labeling

- UL and CUL listed for damp location and through branch wiring
- Non-IC rated

Lamp/Trim

- Socket box mounts securely to reflector for consistent lamp positioning and photometric performance
- Trim retention accomplished by use of 3 spring clips located inside aperture of frame in
- Order trim separately
- Internal emergency available for use with standard open P8030 and baffle P8031 trims only.

Options

- Remote emergency packs are available as options. Add 'EM' to end of sku number for internal emergency (MTO only).

Technical Data

Lamp	Ballast	Line Base	Current Amps	Input Watts	Min. Start
					Temp.
26w	120v	G24q-3	.45	54	0
26w	277v	G24q-3	.20	54	0
26w	120v	G24q-3	.46	54	32 (dimming)

* Technical data is for two lamps.

Open

- P8030-28 Ptd. White
- P8030-21A Clear Alzak
- P8030-22A Gold Alzak
- P8030-17A Pewter Alzak
- P8030-61 Straw Alzak (MTO)
- P8030-64 Wheat Alzak (MTO)
- P8030-67 Haze Alzak (MTO)

Baffle

- P8031-28 Ptd. White
- P8031-31 Ptd. Black
- Lensed Wet Location**
- P8034-83 White Fresnel
- P8035-68 White Prismatic
- Wall Wash**
- P8032-21 Clear Alzak

Progress Lighting
701 Millennium Blvd.
Greenville, South Carolina 29607

www.progresslighting.com



Compact Fluorescent

6" Pro-Optic™ FireBox®
26w Horizontal Quad CFL
1-Hour Fire Resistant
Non-IC

Recessed

Type _____

-EBFB -DMFB**
P66

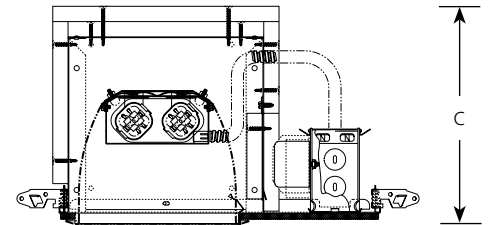
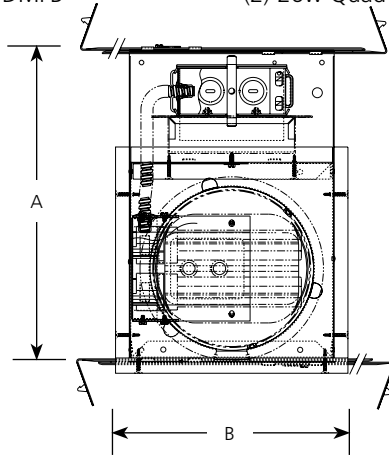
Dimensions (Inches)

A **B** **C**
13-1/4 9-9/16 9-1/16

13-1/4 9-9/16 9-1/16
Ceiling Opening = 6-7/8

Maximum Ceiling Thickness = 1-1/4

Catalog No.	Lamping
P66-EBFB	(2) 26w Quad Tube
P66-DMFB**	(2) 26w Quad Tube Dimming



• Trim must be ordered separately; P8030 trim shown above

Specifications:

Electrical

- Universal heavy gauge junction box with snap-out sides
- Grounding pigtail
- 1/2" & 3/4" pryouts for rigid or BX fittings
- Rated for 8 #12 90-degree conductors (4 in, 4 out)
- P66-EBFB includes 120/277v HPF ballast with end of life protection
- P66-DMFB includes 120v HPF ballast. Dimmable to 5% with 2-wire switches compatible with Advance Mark X ballast

Construction

- 2 horizontal 26w Quad tube compact fluorescent G24q-3
- Notched housing for chalkline or laser alignment
- Trims adjust to accommodate 1/2" to 1-1/4" thick ceilings
- 6 pieces of UL Classified fire resistant gypsum board attached to recessed housing
- Fiberglass gasket on bottom of frame to minimize heat transfer into ceiling cavity

Bar Hangers

- Integral nailers for wood joist construction
- Integral T-bar mounting clamps
- Securely span 24" T-bar spacing
- Integral set-screw lock to secure housing

- Captive and factory installed
- 90-degree mounting for tight spaces
- Galvanized steel

Labeling

- UL/CUL listed for damp location and through branch wiring
- Non-IC rated
- UL Classified to maintain fire ratings of 1 hour or less for all L500 series fire rated ceiling/floor assemblies

Lamp/Trim

- Socket box mounts securely to re-reflector for consistent lamp positioning
- Trim retention accomplished by use of 3 spring clips located inside aperture of frame-in

Catalog #	Description	Lamp Base	Line		Min. Start Temp
			Current	Input Watts	
P66-EBFB	120/277V Electronic	G24q-3	.45/20	54	0
P66-DMFB	120V Electronic Dimmable	G24q-3	.40	49-18	50

* Technical data is for two lamps.

** P66-DMFB MTO only

Progress Lighting
701 Millennium Blvd.
Greenville, South Carolina 29607

www.progresslighting.com

Patent# 6,357,891



Rev. 2/09